

SPIDER 33.15/300

TRACKED AERIAL WORKING PLATFORMS

EN



PL / **TFORM**
B A S K E T

RAISING THE STANDARD

Made in Italy

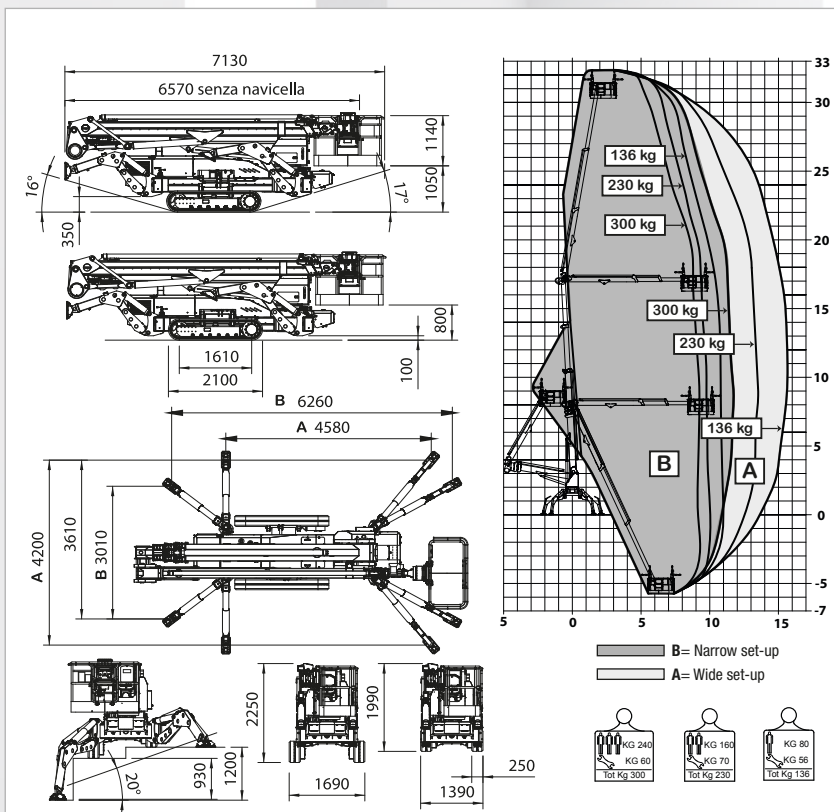


SERIES SPIDER 33.15/300

The most reliable, compact and easy to manoeuvre without operator

- 17 m "Up & Over" working with a max side outreach up to 15 m
- Capability to be operated 6m below ground level
- Equipped with radio remote control and standard automatic stabilization
- Possibility to self-loading and unloading the machine on a flat-bed truck body
- Available also a bigger size of cage (up to 2,20m)

- Agile and stable on a variable width crawler tracks
- Easy maintenance
- Simple and intuitive on-board equipment
- Ultra-light and easy to transport
- Air & Water 220/110 Vac outlets into the basket
- Fully protected by metal shields



| TECHNICAL SPECIFICATIONS | | | |
|-------------------------------------|--------------------------------------|-------------|---------------------------------|
| | STD | E | ED |
| Maximum working height | m | 32,40 | |
| Floor height | m | 30,40 | |
| Maximum side outreach | m | 15,60 | |
| Rotation angle of the tower | ° | 400 | |
| Aluminium basket dimensions | m | 1,63 x 0,87 | |
| Basket rotation angle | ° | 90+90 | |
| Maximum capacity of basket | Kg | 300 | |
| Length closed (basket disassembled) | m | 7,13 (6,57) | |
| Minimum width closed | m | 1,39 | |
| Minimum height closed | m | 1,39 | |
| Overall dimensions Stabilization | Wide Narrow | m | 4,21 x 4,58 3,07 x 6,26 |
| Maximum horizontal inclination | degrees/% | 14° (31%) | |
| Maximum side inclination | degrees/% | 17° (31%) | |
| Maximum speed | Km/h | 2,0 | 1,2 2,0 |
| WEIGHTS | | STD | E ED |
| Weight in work conditions* | Kg | 6500* | 6800* 6800* |
| Ground pressure stowed machine | KN/m² | 6,75 | 6,75 7,03 |
| Ground pressure when on stabilizers | KN/m² | 3,48 | 3,48 3,61 |
| Max point load on one stabilizer | KN | 37,6 | 37,6 39,0 |
| POWER | | STD | E ED |
| D902 Kubota diesel engine | HP/rpm | 22/3600 | - 22/3600 |
| Electric motor 380 Vac | CV/KW | 15/380 | 15/380 - |
| Electric Motor 24 Vdc | CV/KW | - | 7,4/24 7,4/24 |
| Traction battery capacity | 24Vdc Lead Acid 24Vdc Lithium Ion | Ah | - 2x210 400 2x210 400 |
| Battery charger | lead acid lithium ion | Ah | - 45 100 / 50 45 100 / 50 |

* Subject to change depending on configuration.