



# DP60 - DP70

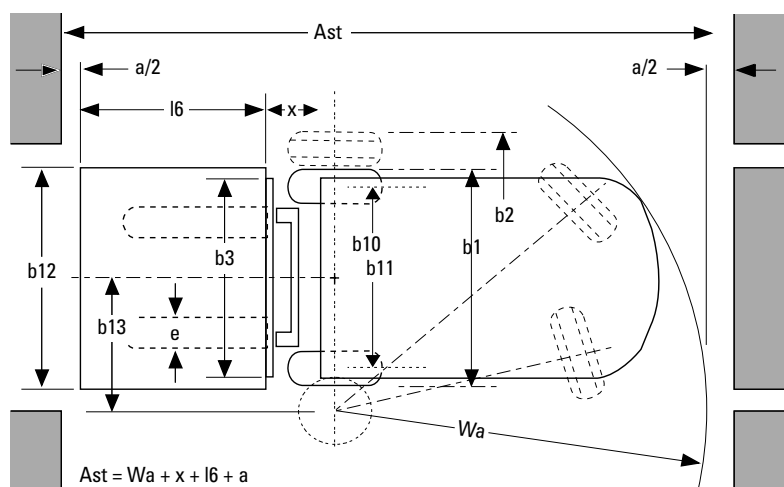
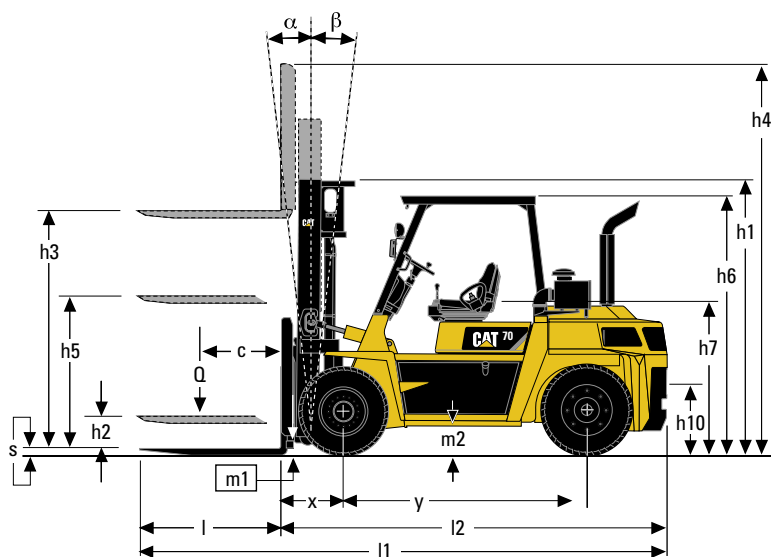
Specifications

**Engine powered lift trucks**

6.0 - 7.0 tonnes

Characteristics			Cat Lift Trucks	Cat Lift Trucks
1.01	Manufacturer (abbreviation)		DP60	DP70
1.02	Manufacturer's model designation		Diesel	Diesel
1.03	Power source: (battery, diesel, LP gas, petrol)		Seated	Seated
1.04	Operator type: pedestrian, (operator)-standing, -seated			
1.05	Load capacity	Q (kg)	6000	7000
1.06	At load centre	c (mm)	600	600
1.08	Load distance	x (mm)	585	585
1.09	Wheelbase	y (mm)	2300	2300
Weight				
2.01	Truck weight, without load / including battery (simplex mast, lowest lift height)	kg	8715	9325
2.02	Axle loading with maximum load, front/rear (simplex mast, lowest lift height)	kg	13255 / 1460	14660 / 1665
2.03	Axle loading without load, front/rear (simplex mast, lowest lift height)	kg	4160 / 4555	4050 / 5275
Wheels, Drive Train				
3.01	Tyre type: V=solid, L=pneumatic, SE=solid pneumatic - front/rear		L / L	L / L
3.02	Tyre dimensions, front		8.25 x 15- 12PR	8.25 x 15- 12PR
3.03	Tyre dimensions, rear		8.25 x 15- 12PR	8.25 x 15- 12PR
3.05	Number of wheels, front/rear (x=driven)		4x / 2	4x / 2
3.06	Track width (centre of tyres), front	b10 (mm)	1650	1650
3.07	Track width (centre of tyres), rear	b11 (mm)	1650	1650
Dimensions				
4.01	Mast tilt, forwards/backwards	$\alpha/\beta$ °	6 / 12	6 / 12
4.02	Height with mast lowered (see tables)	h1 (mm)	3070	3070
4.03	Free lift (see tables)	h2 (mm)	200	200
4.04	Lift height (see tables)	h3 (mm)	4000	4000
4.05	Overall height with mast raised	h4 (mm)	5280	5280
4.07	Height to top of overhead guard	h6 (mm)	2420	2420
4.08	Seat height	h7 (mm)	1350	1350
4.12	Tow coupling height	h10 (mm)	485	485
4.19	Overall length	l1 (mm)	4810	4855
4.20	Length to fork face (includes fork thickness)	l2 (mm)	3590	3635
4.21	Overall width	b1/b2 (mm)	2175	2175
4.22	Fork dimensions (thickness, width, length)	s / e / l (mm)	60 x 150 x 1220	60 x 150 x 1220
4.23	Fork carriage to DIN 15 173 A/B/no		IV A/No	IV A/No
4.24	Fork carriage width	b3 (mm)	1780	1780
4.31	Ground clearance under mast, with load	m1 (mm)	140	140
4.32	Ground clearance at centre of wheelbase, with load (forks lowered)	m2 (mm)	255	255
4.33	Working aisle width with 1000 x 1200 mm pallets, crosswise	Ast (mm)	5095	5180
4.34	Working aisle width with 800 x 1200 mm pallets, crosswise	Ast (mm)	4895	4980
4.35	Turning circle radius	Wva (mm)	3310	3395
4.36	Minimum distance between centres of rotation	b13 (mm)	1260	1260
Performance				
5.01	Travel speed, with/without load	km/h	23.0 / 27.5	22.0 / 27.5
5.02	Lifting speed, with/without load	m/s	0.44 / 0.47	0.44 / 0.47
5.03	Lowering speed, with/without load	m/s	0.55 / 0.55	0.55 / 0.55
5.05	Rated drawbar pull, with/without load	N	42800 / 28700	42700 / 27700
5.07	Gradeability, with/without load	%	31 / 29	27 / 27
5.09	Acceleration time (10 metres) with/without load	s	-	-
5.10	Service brakes (mechanical/hydraulic/electric/pneumatic)		Hydraulic	Hydraulic
Engine motors				
7.01	Manufacturer / Type		S6S-T	S6S-T
7.02	Rated output B to ISO 1585	kW	69.9	69.9
7.03	Rated speed to DIN 70 020	rpm	2300	2300
7.04	Number of cylinders / cubic capacity	cm <sup>3</sup>	6 / 4996	6 / 4996
7.05	Fuel consumption according to VDI cycle	l/h / kg/h	-	-
Miscellaneous				
8.01	Type of drive control		Torque converter	Torque converter
8.02	Maximum operating pressure for attachments	bar	191	191
8.03	Oil flow for attachments	l/min	-	-
8.04	Noise level, mean value at operator's ear	dB(A)	-	-
8.05	Towing coupling design / DIN type, ref.		-	-





$A_{st}$  = Working aisle width with load  
 $a$  = Safety clearance (200 mm)  
 $l_6$  = Pallet length (800 or 1000 mm)  
 $b_{12}$  = Pallet width (1200 mm)

## Lower Cost of Ownership

- Robust chassis and heavy duty steer axle invite long life and high performance.
- The powerful 6 cylinder S6S-T diesel engine is designed to the highest standards. It is quiet and fuel efficient. This engine meets EURO level IIIA emission regulations.
- Load sensing hydraulic control valve saves energy for efficient operation.

## Unmatched Productivity

- The small diameter steering wheel and full hydrostatic steering assistance ensure precise and rapid steering response with little effort.
- Use of small diameter lift cylinders and strategic locating of hydraulic lines ensure excellent forward visibility through the wide mast.
- For safe and efficient braking, these models are fitted with vacuum assisted hydraulic brakes.
- Easy service keeps your machine in sound working condition; routine maintenance is performed quickly: Engine, radiator, coolant recovery bottle, engine oil dipstick, fuel shut-off valve, air cleaner and battery are all within easy view and reach.
- The comprehensively equipped instrument panel provides valuable on-the-go information and warning signals to the driver, allowing maximum control.
- Tough rubber engine mounting blocks and U-jointed drive shafts virtually eliminate vibrations to the operator's compartment.
- Two-speed automatic transmission.
- Rapid access to the transmission and torque converter.
- Axle and mast lubrication points are easy to reach. Mast and carriage load rollers are permanently lubricated.
- The capacity of the air cleaner has been increased, lengthening service life.

## Safety and Ergonomics

- Adjustable full suspension seat with bolster support, hip restraint and seat belt.
- Ergonomic operation using Lever Control or Fingertip Control, allowing the operator to control hydraulics precisely and with minimum effort.
- Access to the operator's compartment is easy thanks to the conveniently placed grab bars and footsteps.
- The tiltable steer column, adjustable full suspension seat and generous foot and leg room ensure a relaxed driving position for all operators.
- The trunnion mounted, oscillating steer axle ensures a comfortable ride and excellent ground contact - even on the poorest work surfaces.
- Tough gas cylinders ensure effortless raising of the engine hood.

## Options

- Lever hydraulic control (electric over hydraulic)
- Wide range of sideshifter and fork positioner
- Fully enclosed cabin with/without air conditioning

# Cat® Lift Trucks.

Your partner in materials handling.

Mast Type	DP60 - DP70					DP60	DP70
	h3 mm	h1 mm	h4 mm	h2 mm	h5 mm	Q @ 600mm kg	Q @ 600mm kg
Simplex	3000	2570	4280	200	-	6000	7000
	3300	2720	4580	200	-	6000	7000
	3500	2820	4780	200	-	6000	7000
	3700	2920	4980	200	-	6000	7000
	4000	3070	5280	200	-	6000	7000
	4500	3320	5780	200	-	6000	7000
	5000	3670	6280	200	-	6000	7000
	5500	3920	6780	200	-	5800	6700
	6000	4170	7280	200	-	5600	6400
	6500	4420	7780	200	-	5400	6200
Triplex	7000	4470	7880	200	-	5000	5800
	8000	4670	8280	200	-	4200	5000
	3700	2375	4980	-	1095	5500	6200
	4000	2475	5280	-	1195	5500	6200
	4300	2575	5580	-	1295	5500	6200
	4500	2645	5790	-	1365	5500	6200
	4700	2725	5980	-	1445	5400	6200
	5000	2825	6280	-	1545	5300	6200
	5500	3075	6780	-	1795	5100	6000
	6000	3245	7290	-	1965	4900	5700
	6500	3425	7780	-	2145	4700	5400
	7000	3575	8280	-	2295	4300	4600
	7500	3745	8790	-	2485	3600	3800
8000	3925	9280	-	2645	2900	3100	



## Mast Performance and Capacity

h1	Height with mast lowered
h2	Standard free lift
h3	Standard lift height
h4	Height with mast raised
h5	Full free lift
Q	Lifting capacity, rated load
c	Load centre (distance)

Consult your dealer for the maximum back tilt allowed to obtain the capacities specified.

catliftruck@mcf.nl  
www.catliftruck.com

CESC0972(10/07)ok  
Copyright ©2007, MCFE. All rights reserved.  
CAT, CATERPILLAR, their respective logos and 'Caterpillar Yellow', as well as corporate and product identity used herein, are trademarks of Caterpillar and may not be used without permission.  
Printed in The Netherlands

NOTE: Performance specifications may vary depending on standard manufacturing tolerances, vehicle condition, types of tyres, floor or surface conditions, applications, or operating environment. Trucks may be shown with non-standard options. Specific performance requirements and locally available configurations should be discussed with your Cat lift trucks Dealer. Cat Lift Trucks follows a policy of continual product improvement. For this reason, some materials, options and specifications could change without notice.

**CAT** Lift Trucks